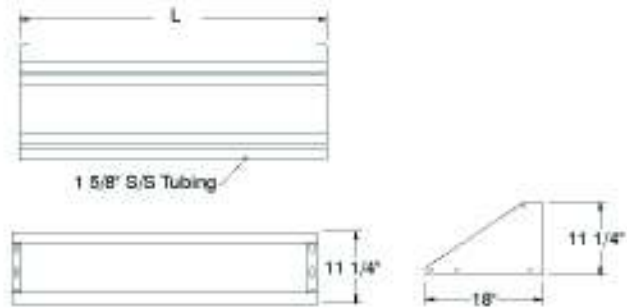


Atac

NSF

Stainless Products



KD TUBULAR DESIGN

FEATURES:

A dual purpose open tubular design wall mounted rack shelf with solid end brackets bolted in field. Unit completely knock down.

CONSTRUCTION:

No welds. Unit is supplied with assembly hardware.

MATERIAL:

Brackets are 16 gauge type 300 series stainless steel.
Tubing is 1 5/8" diameter stainless steel 18 gauge tubing.
Stainless steel bolts (included).

Length		Wt.
22"	STR-22KD	15 lbs
42"	STR-42KD	23 lbs
62"	STR-62KD	30 lbs