

STAINLESS STEEL  
**Standard Ice Bins**



Model: \_\_\_\_\_  
 Item #: \_\_\_\_\_ Quantity: \_\_\_\_\_  
 Project: \_\_\_\_\_



**FEATURES:**

- Ice bin 20GA.304S/S Back, Outside bottom, Inside front  
 20GA.304S/S inside bowl, outside left, outside right, outside front
- The deep of sink bowl is 12"
- Galvanized. Legs and socket, Plastic bullet feet
- Plastic bottle holder included

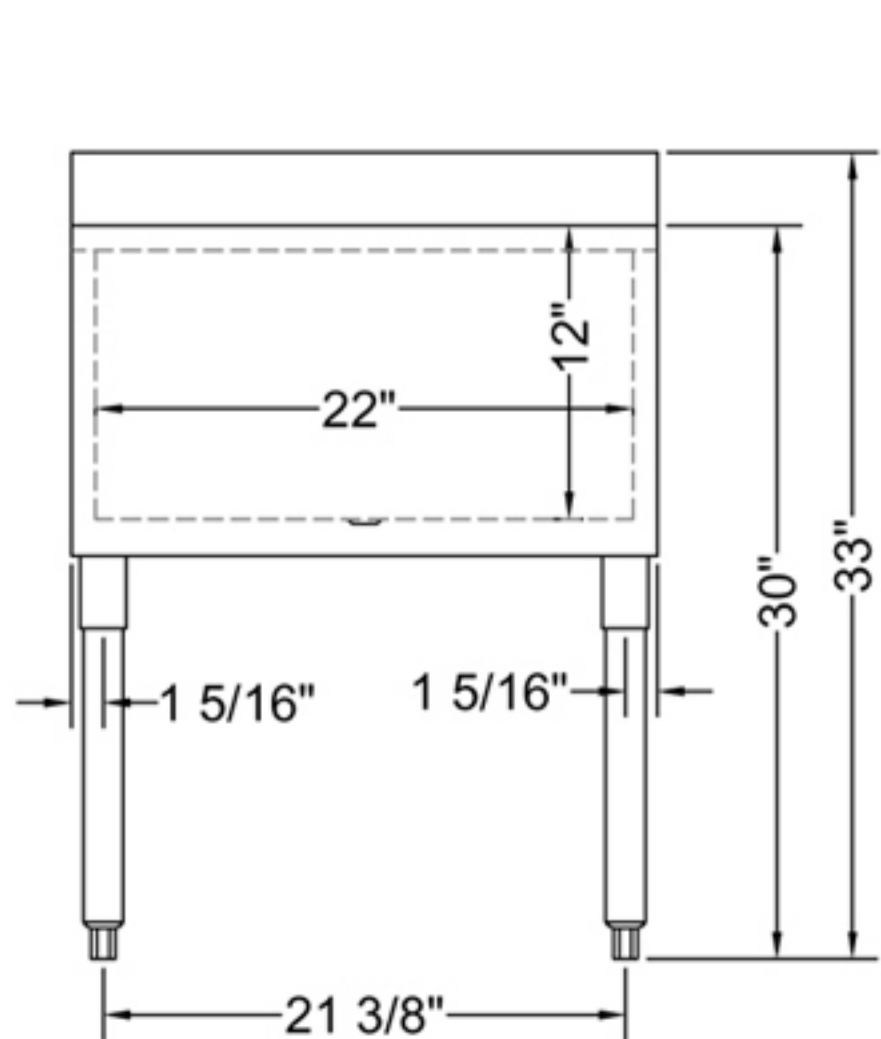
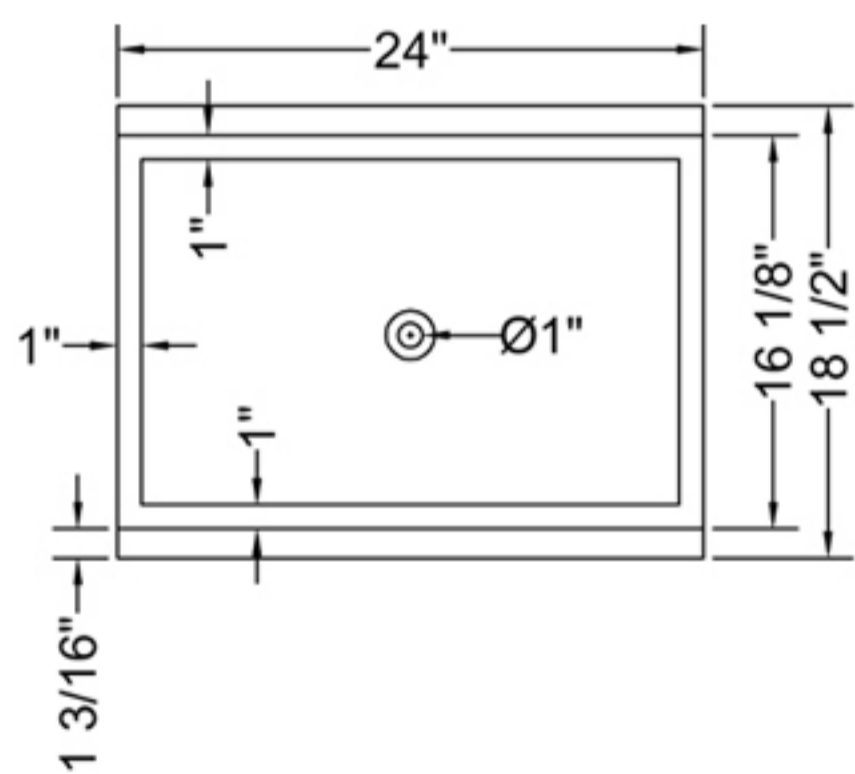
**CONSTRUCTION:**

All TIG welded.  
 Welded areas blended to match adjacent surfaces and to a satin finish.

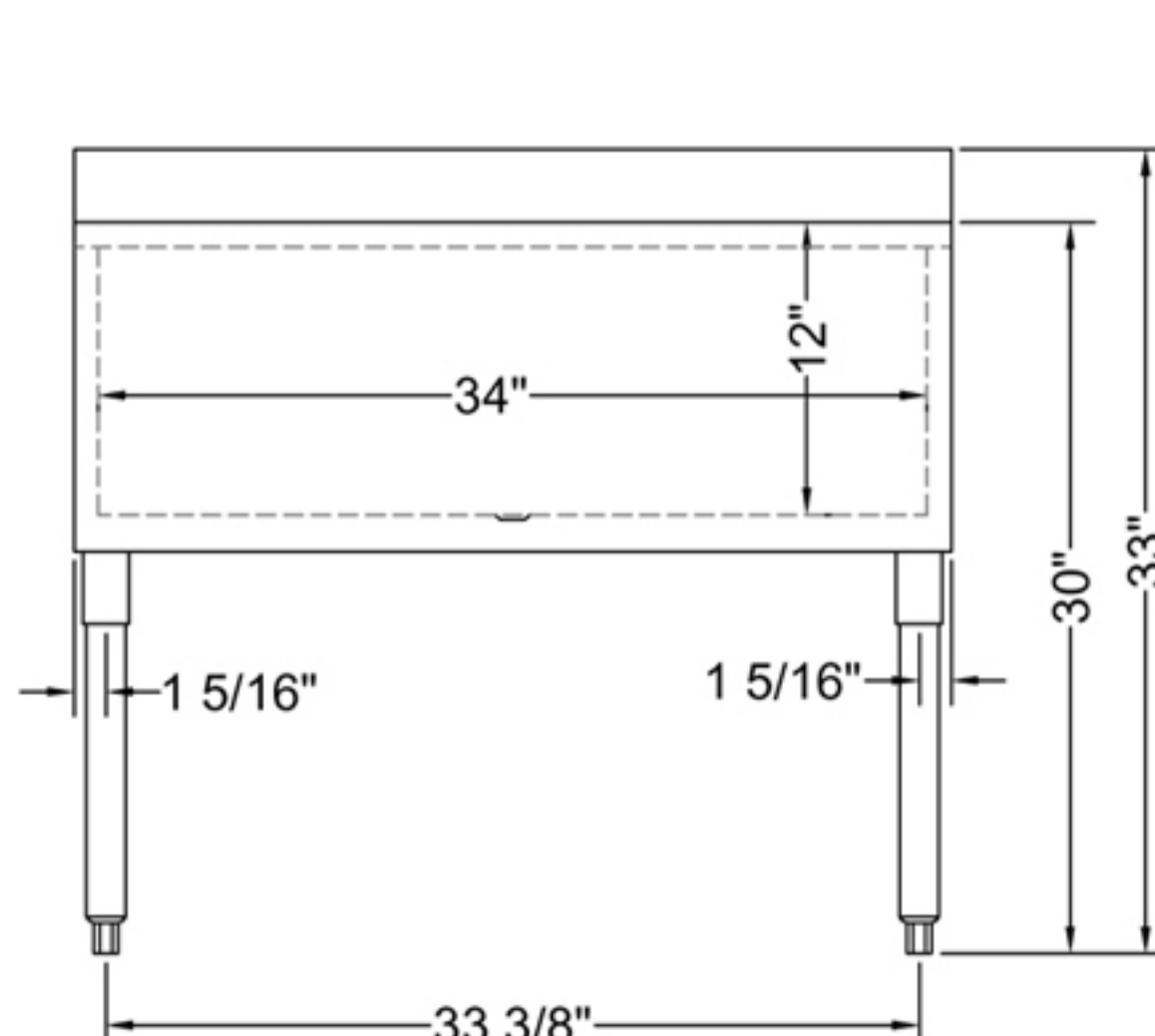
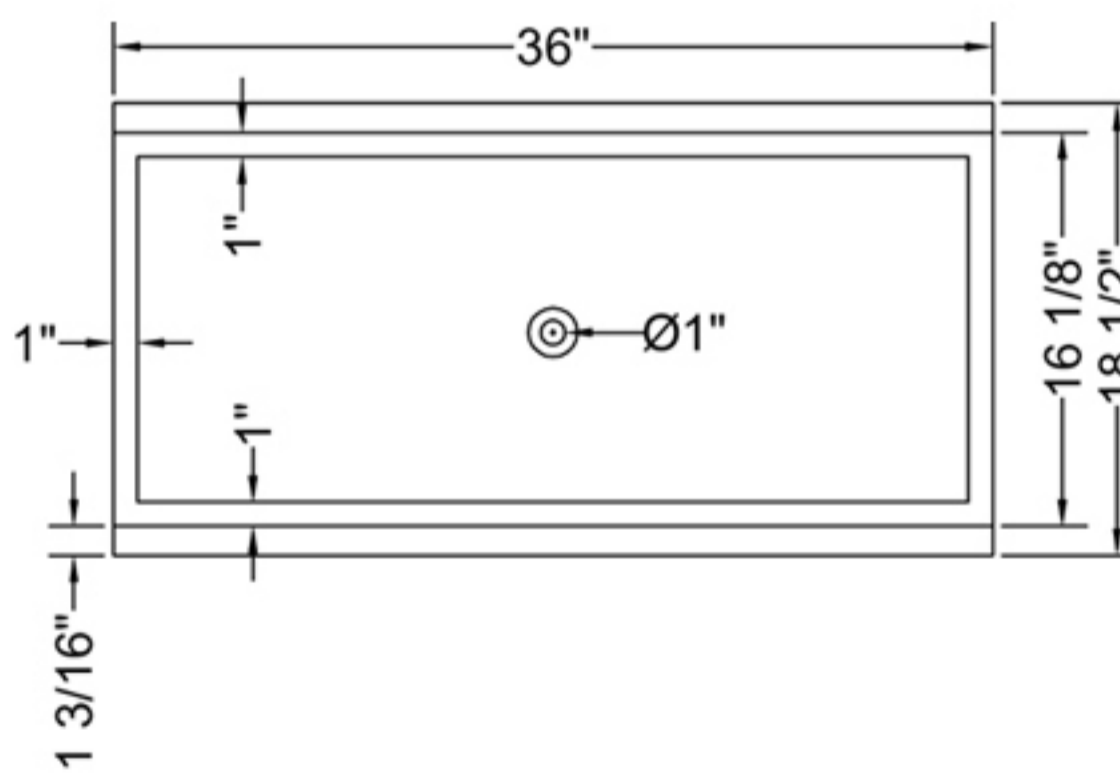
**MATERIAL:**

Heavy gauge type "304" series stainless steel.

Model Numbers	Length A	Bin Depth B	Overall Depth C	Left Side to Drain D	Leg Size E	Weight lbs
IB-24	2'-0"	12"	13.5"	12"	16.5"	50
IB-36	3'-0"	12"	13.5"	18"	16.5"	80



**IB-24**



**IB-36**

